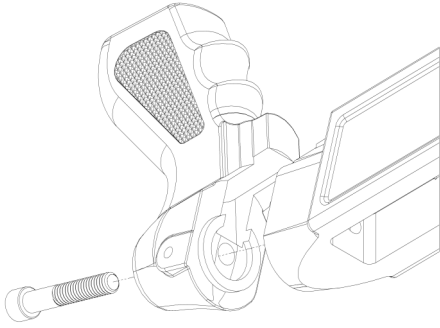
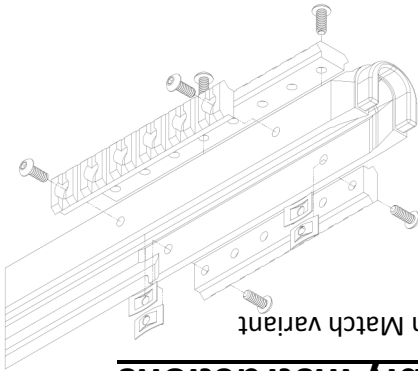


# Delta 14 Chassis Assembly Instructions



## Package Contents

1. Delta 14 Chassis
2. (3) Tactical Rails (Right/Left/Bottom)
3. (6) #10-24 x 1/2"lg Button Head Screws
4. (6) 10-24 Push Nuts
5. 5/16-18 Socket Head Cap Screw
6. Foam Pad

## Tactical Rails

Locate tactical rails on chassis as shown. Rails are marked "R"-Right, "L"-Left and "B"-Bottom. Use #10-24 BHSCS and Push Nuts to secure rails to chassis as shown. Do not over tighten screws

## Stock

The Delta 14 Chassis will accept any Mossberg® 500 series stock. Use 5/16 SHCS as shown to secure stock to chassis. Do not over tighten screw Use Foam Pad to fill any gaps between stock and Delta 14 Chassis.

Fits all M1A except for Nation Match variant

Detach and Mail

## LIMITED WARRANTY APPLICATION CARD

THIS CARD MUST BE COMPLETED AND RETURNED TO BE COVERED UNDER THE WARRANTY

Delta 14 Chassis @

† k )

k = U @

PH: ( )

-

NAME

ADDRESS

CITY

STATE

ZIP

PHONE NO.

EMAIL

PURCHASED FROM

PURCHASE DATE

DELTA 14 CHASSIS #  
WARRANTY REGISTRATION D-hu  
-  
MICHIGAN 48

FIRST CLASS MAIL
AFFIX STAMP

RETURN ADDRESS

---

---

---

**Limited Warranty  
For Delta 14 Chassis**

**What the Warranty Covers**

The Delta 14 Chassis is covered under a one year limited warranty. Delta 14 Chassis, @ will re-place any stock with defects caused by manufacturing or other similar issue within 1 year from date of purchase.

**What is not covered**

Delta14 Chassis @ will not cover any damage caused by abuse, neglect, or modifications made to the stock in any way.  
Delta 14 Limited Warranty does not cover any consequential damages including personal injury or property damage.

**What Delta 14 Chassis, Inc. will do**

Delta 14 Chassis, LLC will replace any chassis if it is returned to the address below. )  
reserves the right to evaluate any returned chassis for exchange.

**How to get service**

RETURN CHASSIS & PURCHASE RECEIPT TO:  
DELTA 14 CHASSIS, INC.  
3550 Alida Ave  
Rochester Hills, Michigan 48309  
Attn:Delta 14 Chassis Repair

**How State Law Applies**

This warranty is covered under the laws of the Michigan